

**INSTRUCTION
MANUAL**

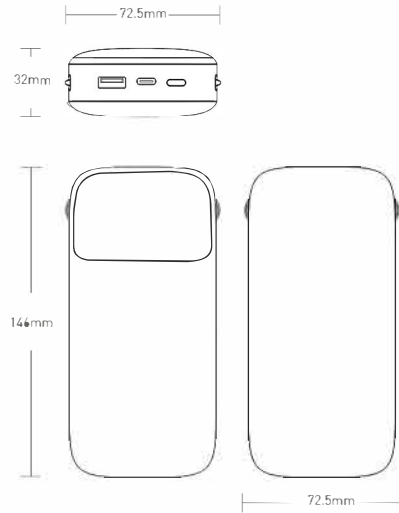
SPECIFICATION

Product Name: LP PQ20 20000mAh
Fast Charging Power Bank
Battery type: Lithium Polymer
PowerBank Certification : CE /UN38.3

Capacity: 20000mAh/74Wh
Input (USB-C): 5V/3A, 9V/2A, 12V/1.5A
USB-C Output: 5V/3A, 9V/2.22A, 12V/1.67A
USB-C Cable Output: 4.5V/5A(SCP), 5V/4.5A(SCP), 9V/2A, 12V/1.5A(22.5W)
Lightning cable output: 5V/3A, 9V/2.22A, 12V/1.67A(20W)
USB-A Output: 4.5V/5A(SCP), 5V/4.5A(SCP), 9V/2A, 12V/1.5A(22.5W)
Total Power: 22.5W Max
Product Dimension / Weight: 146*72.5*32mm /440.5g
Executive standard :GB/T 35590-2017
Place of Origin: the Mainland of China

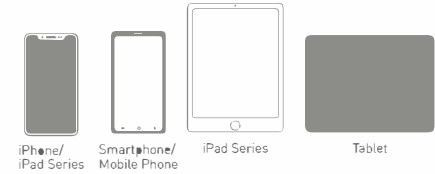


SPECIFICATION



FUNCTION DESCRIPTION

Charging for iPod, iPhone, iPad, Smartphone & Tablet or any other devices.



MULTI-PROTECTION



SAFETY RULES

1. This power bank adapts high quality polymer battery and you can use it at ease.
2. Don't throw and separate it or impale the power bank by yourself; be sure not to expose the battery into fire, high temperature or water and so on; it's suggested that user should use power adapter which comes with phone or standard brand for it. If there are any ballooning, weeping, other improper phenomenon of power bank or the mobile device being charged, please stop using.
3. In the process of charging or discharging, the product has proper heating phenomenon; the heating temperature is below 40°C and without influencing products performance. User can use it at ease.
4. Please charge full electricity to it before first time to use; the product can achieve ideal state after 3 to 5 times of discharging circulation.

WARNING Please follow the above safety instructions otherwise it will cause fire, electric shock, damage or other accident.

TIPS

1. Power bank capacity is not equivalent to the rechargeable amount due to the conversion efficiency of power bank.
2. Please charge your energy regularly (at least once every 5 months is recommended) to maintain its long service life.
3. Improper use of the product is likely to damage the product itself or may endanger personal and property safety.
4. If the consumer violates the product specification or warning and makes inappropriate use, the resulting personal and property loss should be taken by the consumer. Our company will not take any legal responsibility.



www.logicpower.ua