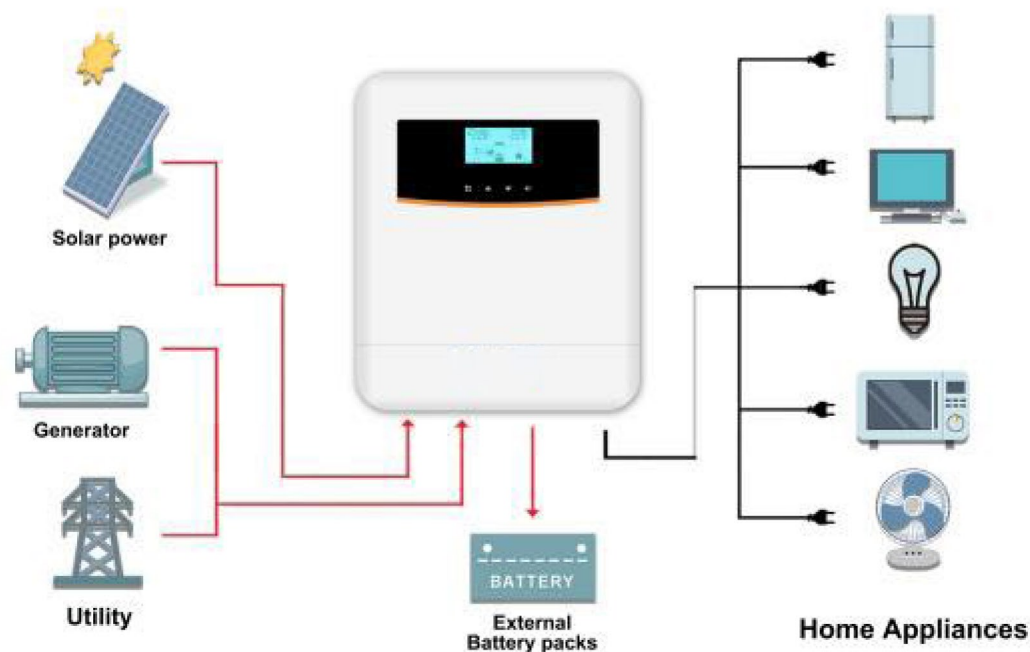
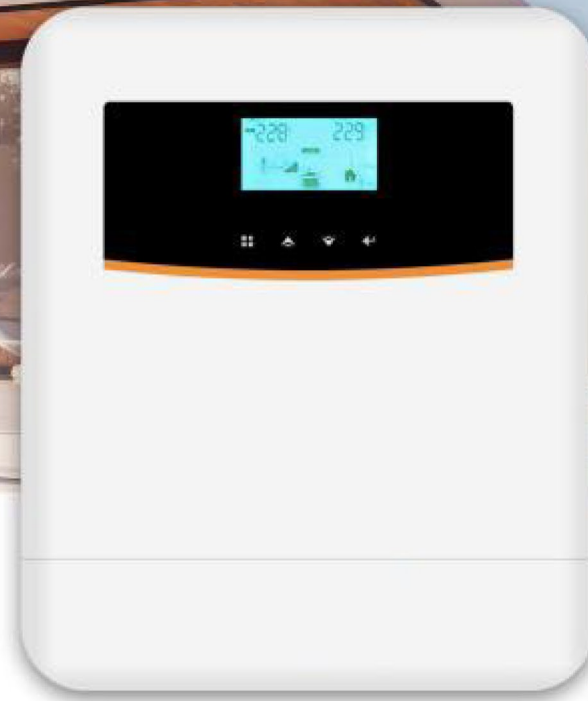


E Series Grid Solar Hybrid Inverter



Model	E-1KW-12V	E-1.5KW-24V
RATED POWER	1000W/1000VA	1500W/1500VA
AC Input		
Voltage	230VAC	
Selectable Voltage Range	170-280VAC (For Personal Computers) 90-280VAC (For Home Appliances)	
Frequency Range	50Hz/60Hz (Auto sensing)	
AC OUTPUT		
AC Voltage Regulation	230VAC ±5%	
Surge Power	2000VA	3000VA
Efficiency (Peak) PV to INV	98%	
Efficiency (Peak) Battery to INV	94%	
Transfer Time	10 ms	
BATTERY		
Battery Voltage	12VDC	24VDC
Floating Charge Voltage	13.5VDC	27VDC
Overcharge Protection	16VDC	32VDC
SOLAR CHARGER & AC CHARGER		
Solar Charger Type	MPPT	
Maximum PV Array Power	600W	1200W
MPPT Range @Operating Voltage	20~150VDC	30-150VDC
Maximum PV Array Open Circuit Voltage solar	150VDC	
Maximum Solar Charge Current	40A	
Maximum AC Charge Current	40A	
Maximum Charging Current (Solar+AC)	80A	
PHYSICAL		
Dimension, D*W*H (mm)	290*240*91	
Carton Dimension, DXWXH (mm)	340*295*145	
Net Weight (kgs)	3	3.5
Gross Weight (kgs)	3.5	4
ENVIRONMENT		
Humidity	5% to 95% Relative Humidity (Non -condensing)	
Operating Temperature	-10°C ~ 50°C	
STANDARD		
Compliance Safety	CE	